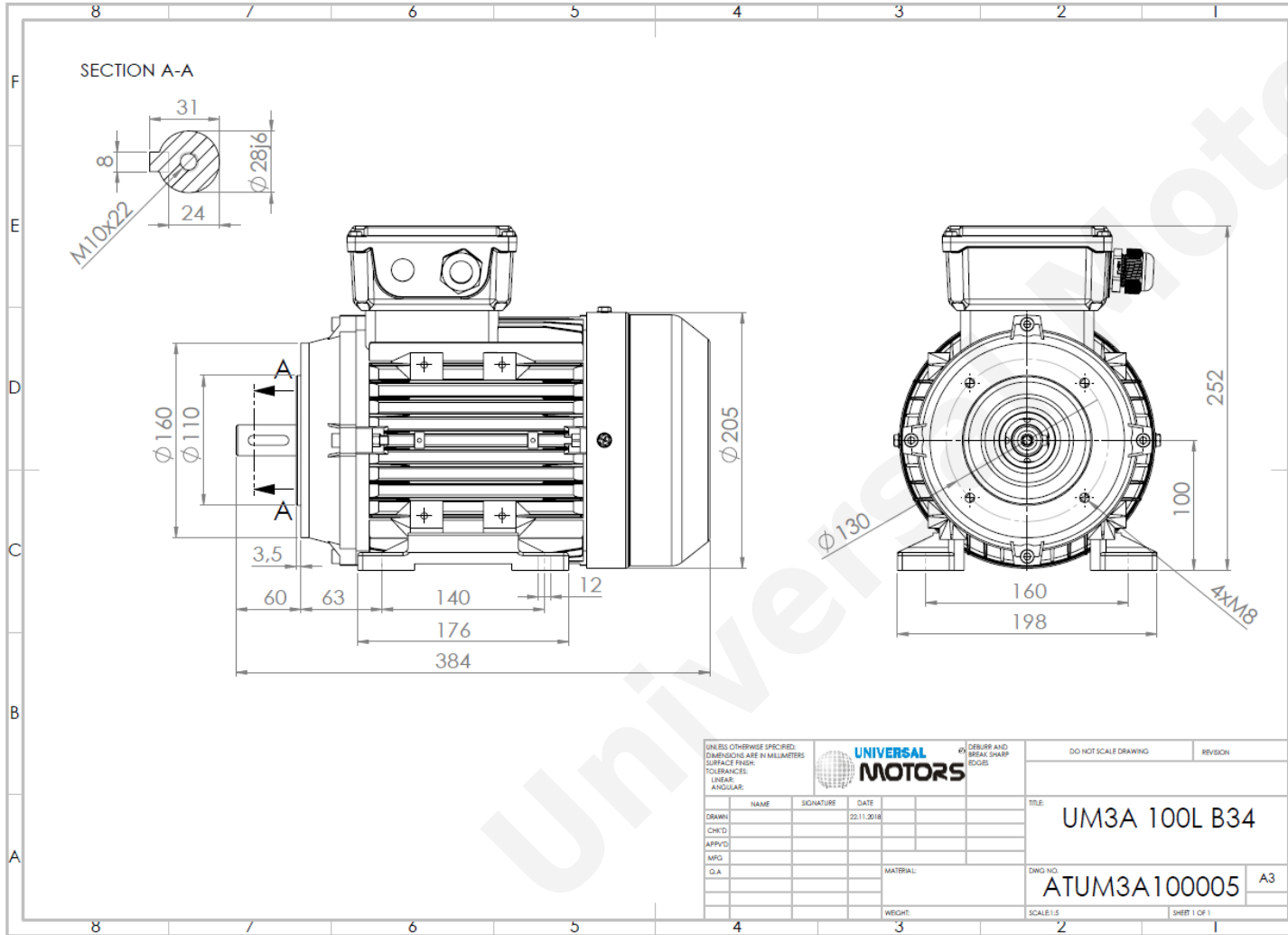




TECHNICAL DATA

Three Phase Electric Motors - Aluminum Frame
 PE31 100L1-4
 2.2 kW / 3 Cv
 1450 RPM



Motor type:	PE31 100L1-4
Output:	2.2 kW / 3 Cv
Speed (min ⁻¹):	1450 RPM
Frequency:	50 Hz
Voltage:	400 V
Current:	4.5 A
Power factor (Cos Ø):	0.81
Poles:	4
Insulation class:	F
Temperature rise Class:	B
Efficiency 50%:	84.5 %
Efficiency 75%:	85.4 %
Efficiency 100%:	86.7 %
Torque:	14.5 N.m
Tstarting/Tnominal:	2.3
Istarting/Inominal:	7.5
Tmaximum/Tnominal:	2.3
Noise:	70 Db(A)
Weight:	25 Kg
Bearing DE:	6206 2Z C3
Bearing NDE:	6206 2Z C3

UNLESS OTHERWISE SPECIFIED: DIMENSIONS ARE IN MILLIMETERS SURFACE FINISH: TOLERANCES: LINEAR: ANGULAR:				UNIVERSAL MOTORS		DO NOT SCALE DRAWING		REVISION	
DRAWN	NAME	SIGNATURE	DATE	TITLE: UM3A 100L B34		DWG NO.:		A3	
CHK'D			22.11.2018			ATUM3A100005			
APP'VD						SCALE: 1:1		SHEET 1 OF 1	
MFG				MATERIAL:					
Q.A.				WEIGHT:					

Regime - S1

Altitude - 1000m

Environment Temperature - 40°C

CONTACTS:

UNIVERSAL MOTORS Tel: +351 252 299 080
 Rua de São Brás,745 Fax: +351 252 299 089
 4480-782 VILA DO CONDE Mail: geral@universalmotors.pt

* References applied only in the UK